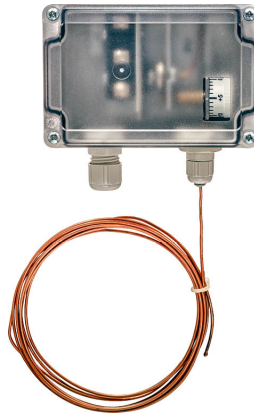


**Low Temperature Detection Sensor**

For monitoring the temperatures of water/air heaters in ventilation and air conditioning systems to prevent frost damage to the cooling registers. Manual or automatic reset versions and adjustable setpoints. The frost alarm is provided with a single-pole double-throw (SPDT) changeover switch.



5-year warranty


**Type Overview**

Type	Output signal frost protection switch	Additional features	Capillary
01DTS-504	Changeover	Auto reset	10 ft [3 m]
01DTS-504X	Changeover	Manual reset	10 ft [3 m]
01DTS-505	Changeover	Auto reset	20 ft [6 m]
01DTS-505X	Changeover	Manual reset	20 ft [6 m]

**Technical data**

<b>Electrical Data</b>	Cable entry	Cable gland cap nut with strain relief Ø6...8 mm
<b>Functional Data</b>	Application	air
	Output signal frost protection switch note	1 x SPDT (4 A @ AC/DC 24 V)
<b>Measuring Data</b>	Measured values	Temperature Frost
	Measuring range temperature	14...59°F [-10...15°C]
	Accuracy temperature active	±0.9°F [±0.5°C]
<b>Materials</b>	Cable gland	PA6, gray
	Housing	Base: ABS, gray Seal: NBR70, black cover ABS, transparent
	Probe material	Copper/vapor filled R507
<b>Safety Data</b>	Protection class IEC/EN	III, Protective Extra-Low Voltage (PELV)
	Degree of protection IEC/EN	IP65
	Degree of protection NEMA/UL	NEMA 4
	EU Conformity	CE Marking
	Certification IEC/EN	IEC/EN 60730-1
	Quality Standard	ISO 9001
	Ambient humidity	Max. 95% RH, non-condensing
	Ambient temperature	-30...160°F [-35...70°C]
Fluid temperature	-30...120°F [-35...50°C]	

Safety Notes



This device has been designed for use in stationary heating, ventilation and air-conditioning systems and must not be used outside the specified field of application. Unauthorized modifications are prohibited. The product must not be used in relation with any equipment that in case of a failure may threaten humans, animals or assets.

Ensure all power is disconnected before installing. Do not connect to live/operating equipment.

Only authorized specialists may carry out installation. All applicable legal or institutional installation regulations must be complied during installation.

The device contains electrical and electronic components and must not be disposed of as household refuse. All locally valid regulations and requirements must be observed.

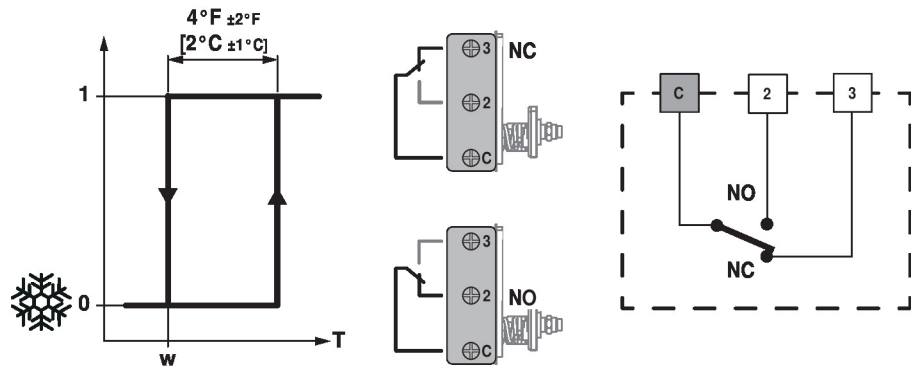


During installation, testing, servicing and troubleshooting of this product, it may be necessary to work with live electrical components. Have a qualified licensed electrician or other individual who has been properly trained in handling live electrical components perform these tasks. Failure to follow all electrical safety precautions when exposed to live electrical components could result in death or serious injury.

Scope of delivery

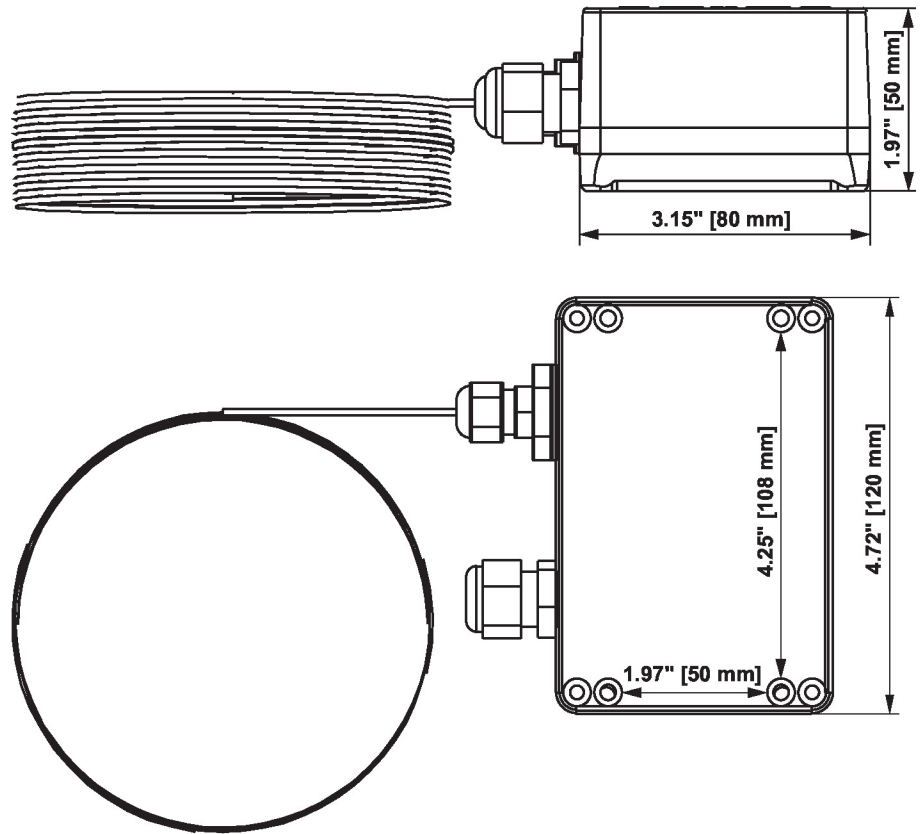
Scope of delivery	Description	Type
	Mounting kit, with 6 mounting brackets	A-22D-A08

Wiring Diagram



set point range (factory setting 41°F [5°C])  
 If the capillary leaks, the switch changes to the frost position.

Dimensions



Type	Weight
01DTS-504	0.89 lb [0.41 kg]
01DTS-504X	0.89 lb [0.41 kg]
01DTS-505	1.01 lb [0.46 kg]
01DTS-505X	1.01 lb [0.46 kg]