

Product data sheet

Specifications

SQUARE D



Enclosed molded case switch, QO, 60A, 2 pole, 240VAC, 22kA, air conditioning, NEMA 3R

QO200TR

Product availability: Stock - Normally stocked in distribution facility

Main

Product Type	Enclosed molded case switch Weatherproof enclosure
Range of Product	QO

Complementary

Current Rating	60 A
Interrupt Rating	22 kA 240 V AC
Number of Phases	1 phase
Enclosure Rating	NEMA 3R outdoor
Breaker Compatibility	Circuit breaker QO 2P
For Use With	air conditioner
Product Certifications	UL Listed
Indoor/Outdoor Use	Enclosed outdoor
Surface Finish	Baked enamel Gray
Voltage Rating	240 V AC
Ambient Air Temperature for Operation	104 °F (40 °C)
Height	6.5 in (165 mm)
Width	4.6 in (118 mm)
Depth	3.9 in (99 mm)
Product Weight	3.0005 lb(US) (1.361 kg)

Ordering and shipping details

Category	US1DE2A00044
Discount Schedule	DE2A
GTIN	785901535966
Returnability	Yes
Country of origin	US

Packing Units

Unit Type of Package 1	PCE
Number of Units in Package 1	1
Package 1 Height	3.50 in (8.89 cm)

Price is "List Price" and may be subject to a trade discount – check with your local distributor or retailer for actual price.

Package 1 Width	4.20 in (10.668 cm)
Package 1 Length	6.50 in (16.51 cm)
Package 1 Weight	3.0005 lb(US) (1.361 kg)
Unit Type of Package 2	CAR
Number of Units in Package 2	10
Package 2 Height	7.10 in (18.034 cm)
Package 2 Width	9.80 in (24.892 cm)
Package 2 Length	19.80 in (50.292 cm)
Package 2 Weight	30.351 lb(US) (13.767 kg)
Unit Type of Package 3	PAL
Number of Units in Package 3	400
Package 3 Height	42.00 in (106.68 cm)
Package 3 Width	40.00 in (101.6 cm)
Package 3 Length	48.00 in (121.92 cm)
Package 3 Weight	1270.0004 lb(US) (576.062 kg)

Contractual warranty

Warranty	18 months
-----------------	-----------



Environmental Data

Schneider Electric aims to achieve Net Zero status by 2050 through supply chain partnerships, lower impact materials, and circularity via our ongoing “Use Better, Use Longer, Use Again” campaign to extend product lifetimes and recyclability.

[Environmental Data explained >](#)

[How we assess product sustainability >](#)

Environmental footprint

Carbon footprint (kg CO2 eq, Total Life cycle)	11
--	----

Environmental Disclosure	Product Environmental Profile
--------------------------	---

Use Better

Materials and Substances

Packaging made with recycled cardboard	No
--	----

Packaging without single use plastic	No
--------------------------------------	----

EU RoHS Directive	Compliant with Exemptions
-----------------------------------	---------------------------

REACH Regulation	REACH Declaration
------------------	-----------------------------------

California proposition 65	WARNING: This product can expose you to chemicals including: Lead and lead compounds, which is known to the State of California to cause cancer and birth defects or other reproductive harm. For more information go to www.P65Warnings.ca.gov
---------------------------	--

Use Again

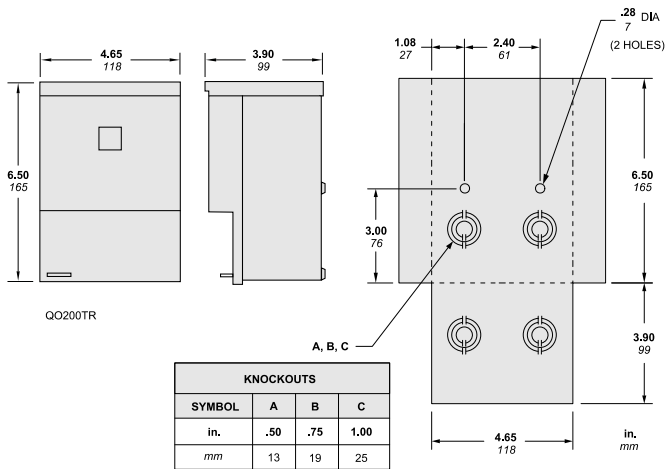
Repack and remanufacture

Circularity Profile	No need of specific recycling operations
---------------------	--

Take-back	No
-----------	----

Technical Illustration

Dimensions



Technical Illustration

Wiring diagram
