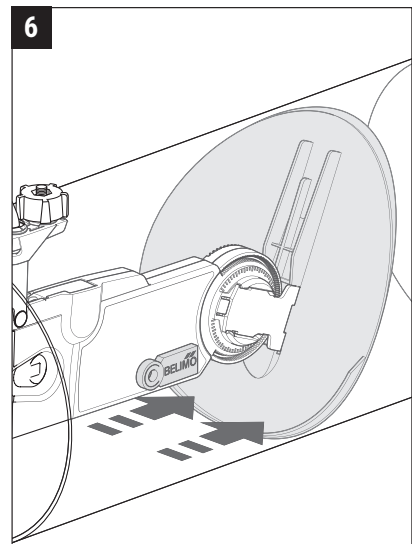
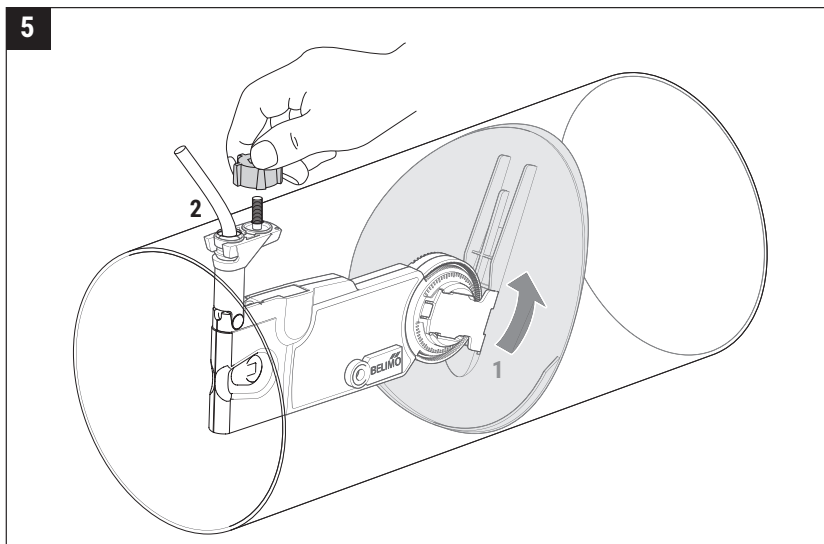
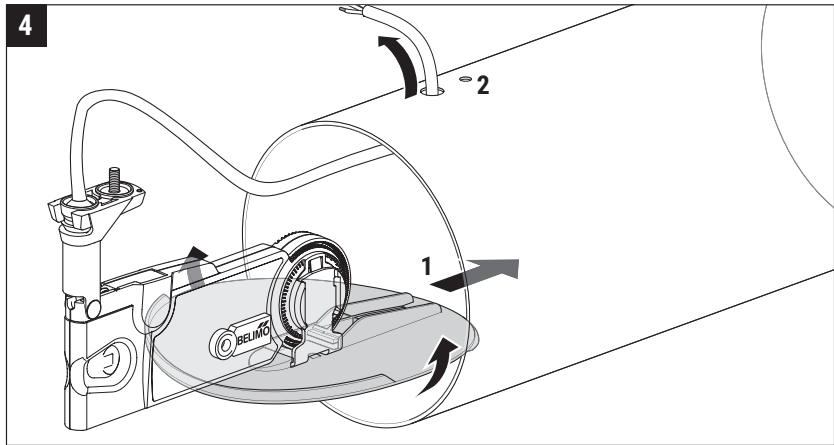
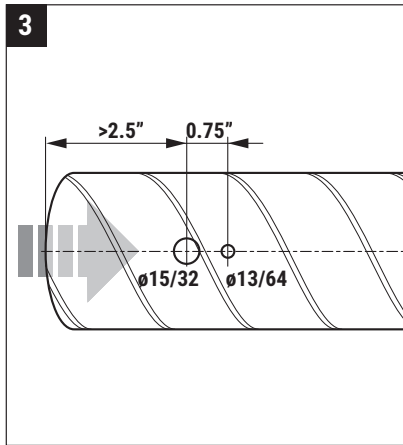
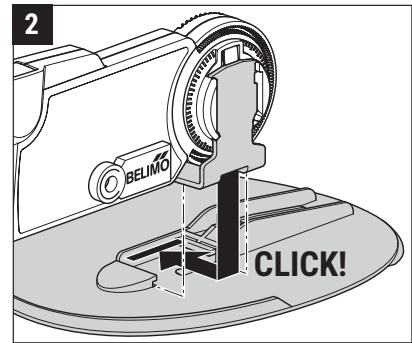
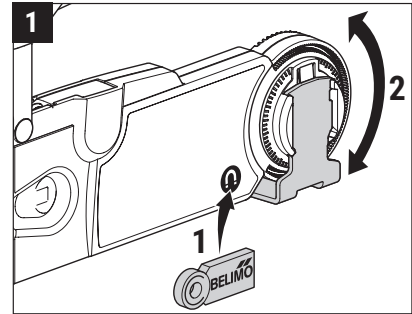
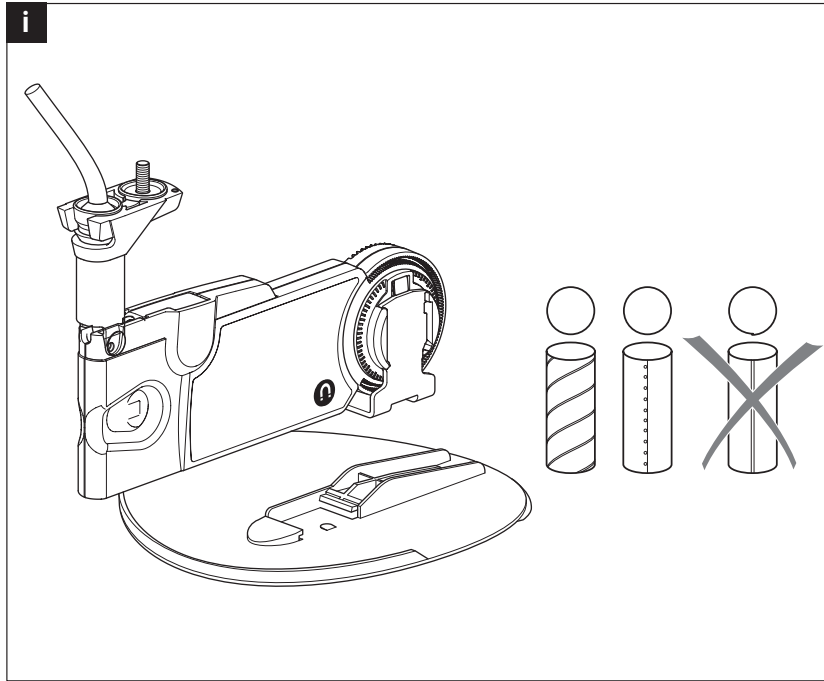
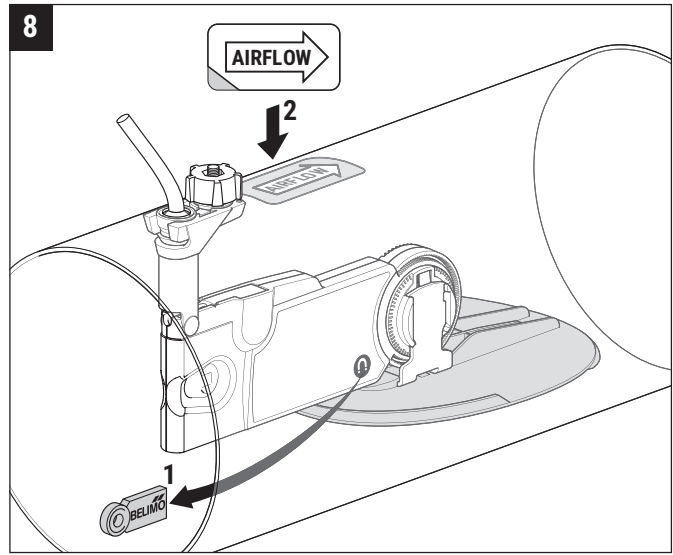
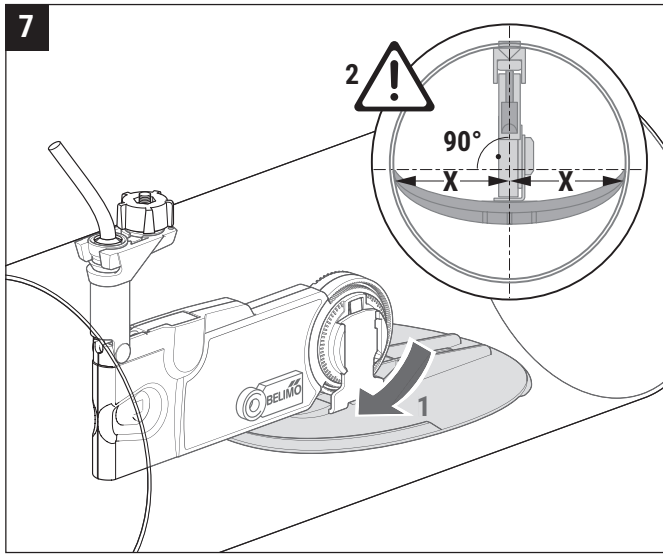


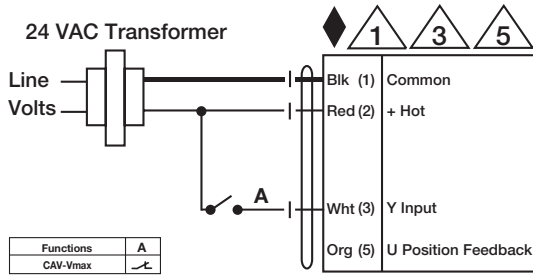
# NIMVR..C, CMBV..-MFT Actuators



# NIMVR..C, CMBV..-MFT Actuators



## Wiring Diagrams

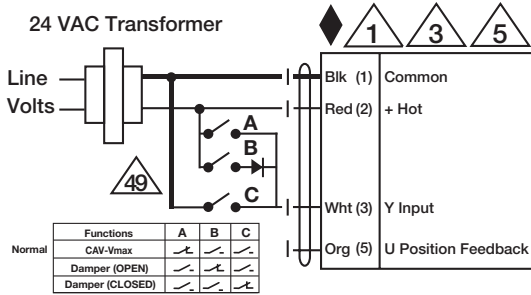


## Notes:

- ◆ Meets cULus requirements without the need of an electrical ground connection
- ⚠ Provide overload protection and disconnect as required.
- ⚠ Actuators may also be powered by 24 VDC.
- ⚠ Only connect common to neg. (-) leg of control circuits.

- ORG**  
Orange  
Anaranjado  
Orange  
Alaranjado
- WHT**  
White  
Blanco  
Blanc  
Branco
- RED**  
Red  
Rojo  
Rouge  
Vermelho

## Typical Control



## Service Override Control

- BLK**  
Black  
Negro  
Noir  
Preto