

2-year warranty

Technical data

Functional data	Fluid	chilled or hot water and steam
	Fluid Temp Range (water)	-22...250°F [-30...120°C]
	Mounting Position	360°
	Applicable Valve Size	0.5...2.5" [15...65]
Materials	Stem	stainless steel
	Frame, plate, base	stainless steel
	Coupling	stainless steel
Suitable actuators	Non-Spring	AMB(X) GMB(X)

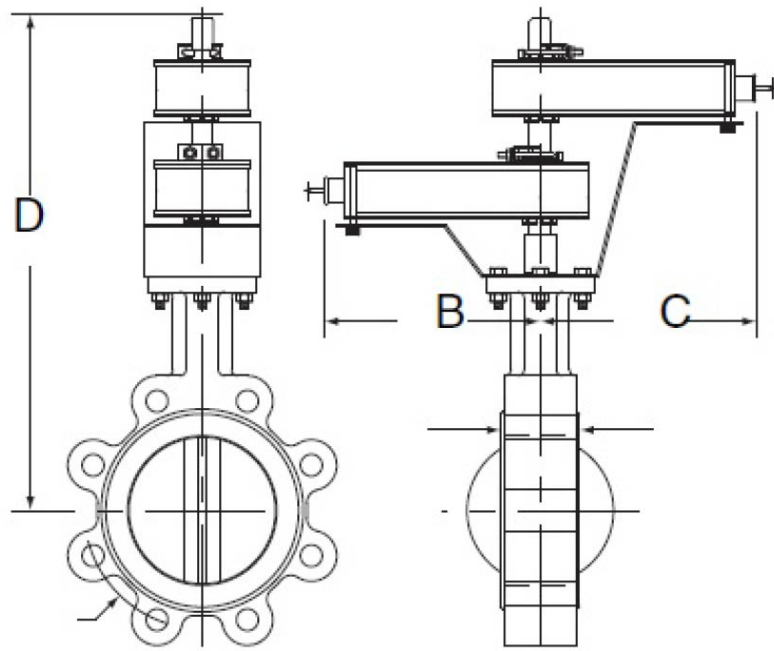
For close-off pressure reference Select Pro or retrofit technical documentation.

Product features

- Default/Configuration** The actuator is sold separately from the linkage. This allows users to select any actuator with the desired control signal. Since the linkage utilizes standard airside actuators, they can be purchased at any time and mounted in the field.
- Application** The UFSP Custom retrofit kits are designed courtesy of the Retrofit Form to easily attach to the valve mounting pad on select 2-way competitor valves utilizing Belimo actuators. This kit will help to restore service without removal of the valve, saving down time. The UFSP Custom retrofit kit is available in various configurations for use with both 2-way and 3-way valves utilizing single or dual actuation.
- Operation** The UFSP kit and mounted actuator(s) are capable of rotating 95° in both CW and CCW directions. This allows the disc to fully open or close. When directional needs vary, the actuators can be flipped or directional switch turned to a new rotation. Refer to the actuator wiring guides on Master/Slave wiring for dual mounted actuators.

Dimensions

Dimensional drawings



B	C	D
8.5" [216]	8.5" [217]	15.5" [394]