



5-year warranty

**Type overview**

|             |           |
|-------------|-----------|
| <b>Type</b> | <b>DN</b> |
| G225S-K     | 25        |

**Technical data**

|                                |                                       |   |
|--------------------------------|---------------------------------------|---|
| <b>Functional data</b>         | Valve size [mm]                       | 1" [25]                                       |
|                                | Fluid                                 | chilled or hot water, up to 60% glycol, steam |
|                                | Fluid Temp Range (water)              | 20...338°F [-7...170°C]                       |
|                                | Fluid Temp Range (steam)              | 32...338°F [0...170°C]                        |
|                                | Body Pressure Rating                  | ANSI Class 250, up to 400 psi below 150°F     |
|                                | Flow characteristic                   | modified equal percentage                     |
|                                | Servicing                             | repack kits available                         |
|                                | Rangeability Sv                       | 100:1   |
|                                | Maximum differential pressure (water) | 50 psi [345 kPa]                              |
|                                | Max Differential Pressure (Steam)     | 50 psi [345 kPa]                              |
|                                | Flow Pattern                          | 2-way   |
|                                | Leakage rate                          | ANSI Class VI                                 |
|                                | Controllable flow range               | stem up - open A – AB                         |
|                                | Cv                                    | 10  |
| Maximum Inlet Pressure (Steam) | 100 psi [690 kPa]                     |   |
| <b>Materials</b>               | Valve body                            | Bronze  |
|                                | Valve plug                            | Stainless steel AISI 316                      |
|                                | Spindle                               | 316 stainless steel                           |
|                                | Spindle seal                          | EPDM O-ring                                   |
|                                | Seat                                  | Stainless steel AISI 316                      |
|                                | Pipe connection                       | NPT female ends                               |
| <b>Suitable actuators</b>      | Non-Spring                            | LVB(X)  |
|                                | Spring                                | LF  |
|                                | Electrical fail-safe                  | LVKB(X)                                       |

**Safety notes**


- **WARNING:** This product can expose you to lead which is known to the State of California to cause cancer and reproductive harm. For more information go to [www.p65warnings.ca.gov](http://www.p65warnings.ca.gov)
- The valve has been designed for use in stationary heating, ventilation and air-conditioning systems and must not be used outside the specified field of application, especially in aircraft or in any other airborne means of transport.
- Only authorized specialists may carry out installation. All applicable legal or institutional installation regulations must be complied during installation.
- The valve does not contain any parts that can be replaced or repaired by the user.
- When determining the flow rate characteristic of controlled devices, the recognised directives must be observed.

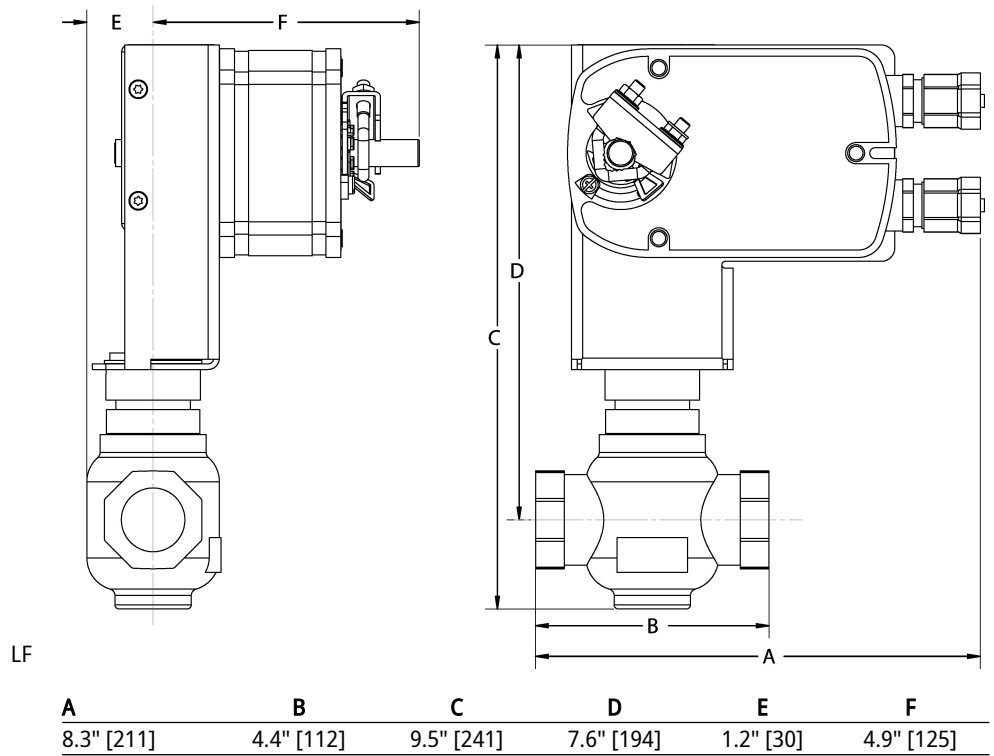
Installation notes

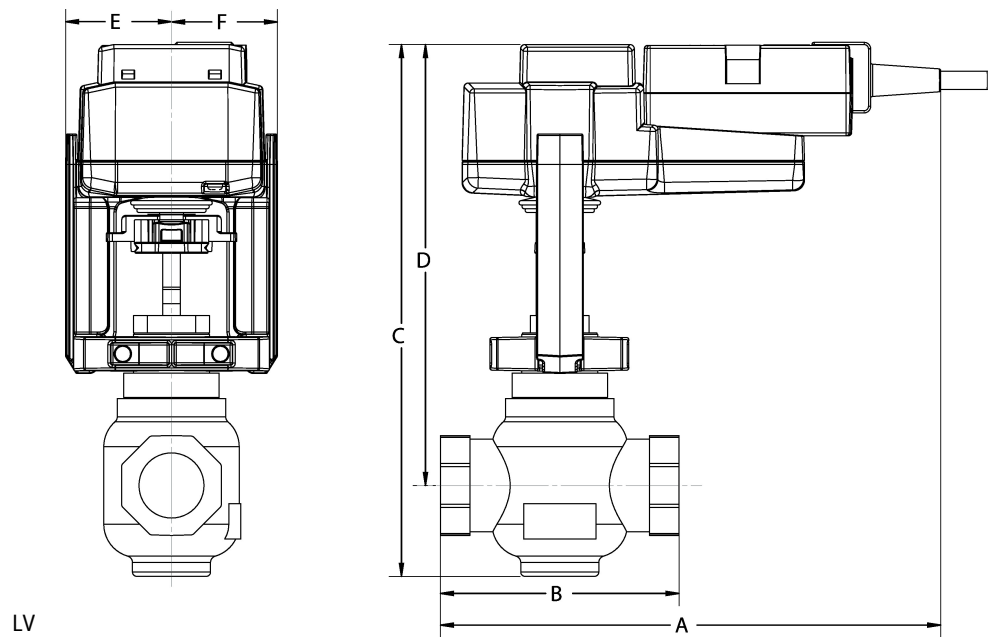
**Flow direction** The direction of flow, specified by an arrow on the housing, is to be complied with, since otherwise the valve could become damaged.



Dimensions

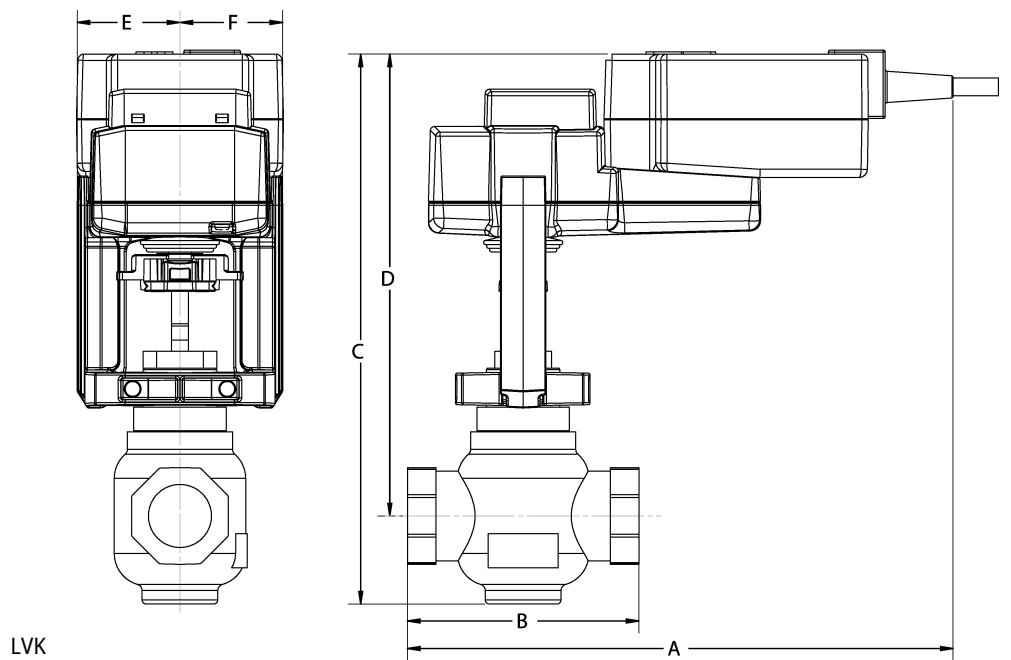
|         |    |
|---------|----|
| Type    | DN |
| G225S-K | 25 |





LV

| A          | B          | C          | D          | E         | F         |
|------------|------------|------------|------------|-----------|-----------|
| 9.1" [231] | 4.4" [112] | 9.6" [244] | 8.0" [203] | 1.9" [48] | 1.9" [48] |



LVK

| A           | B          | C          | D          | E         | F         |
|-------------|------------|------------|------------|-----------|-----------|
| 10.2" [260] | 4.4" [112] | 9.4" [240] | 8.6" [218] | 1.9" [48] | 1.9" [48] |